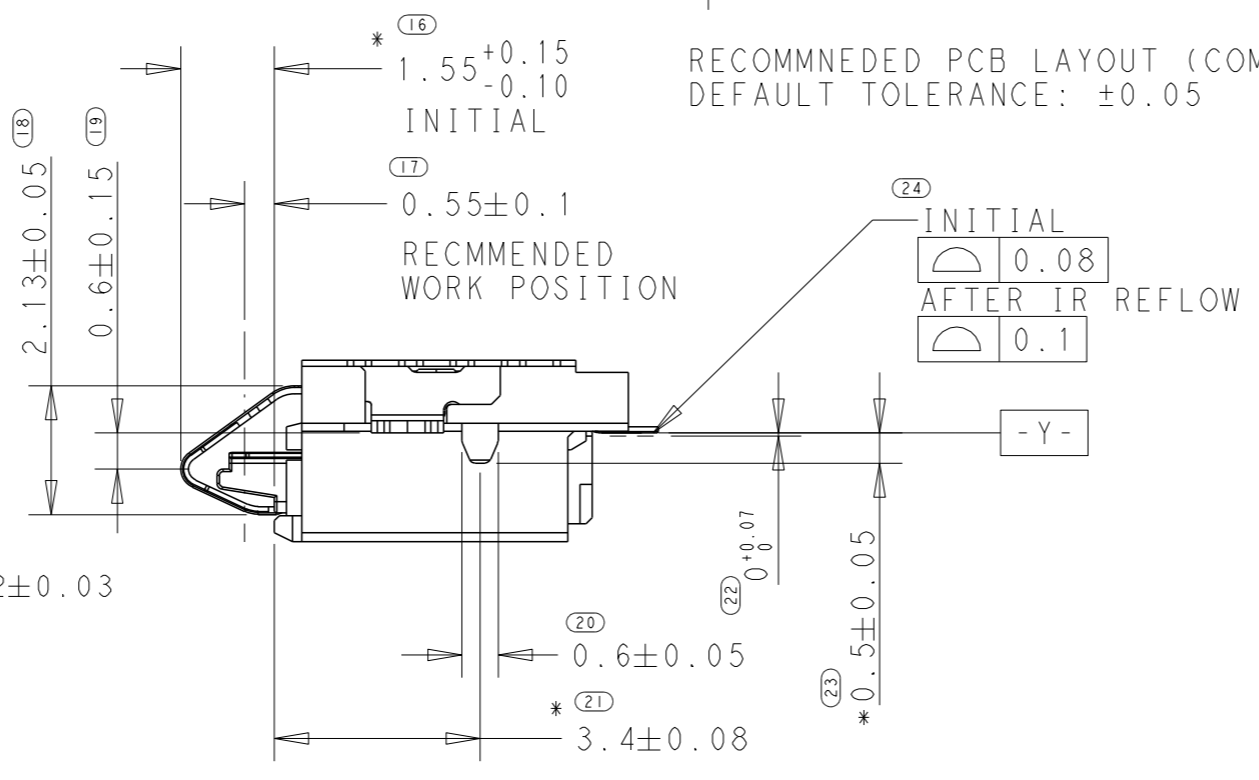
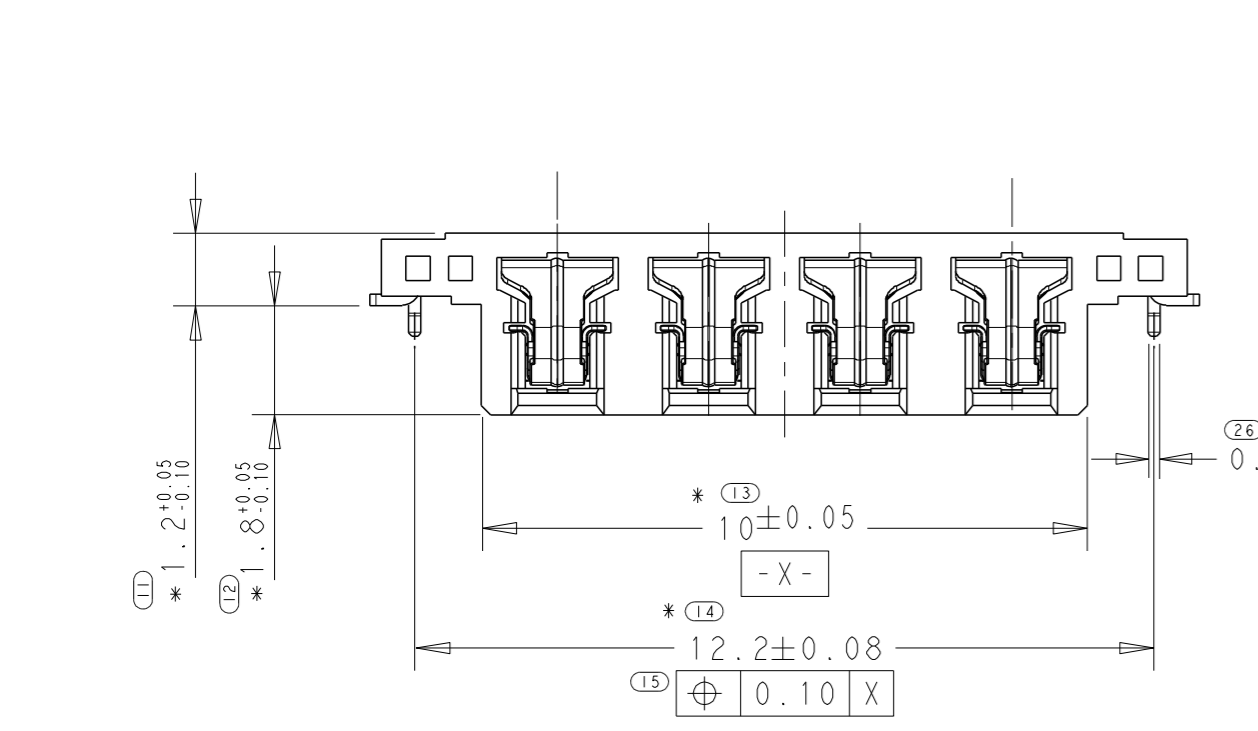
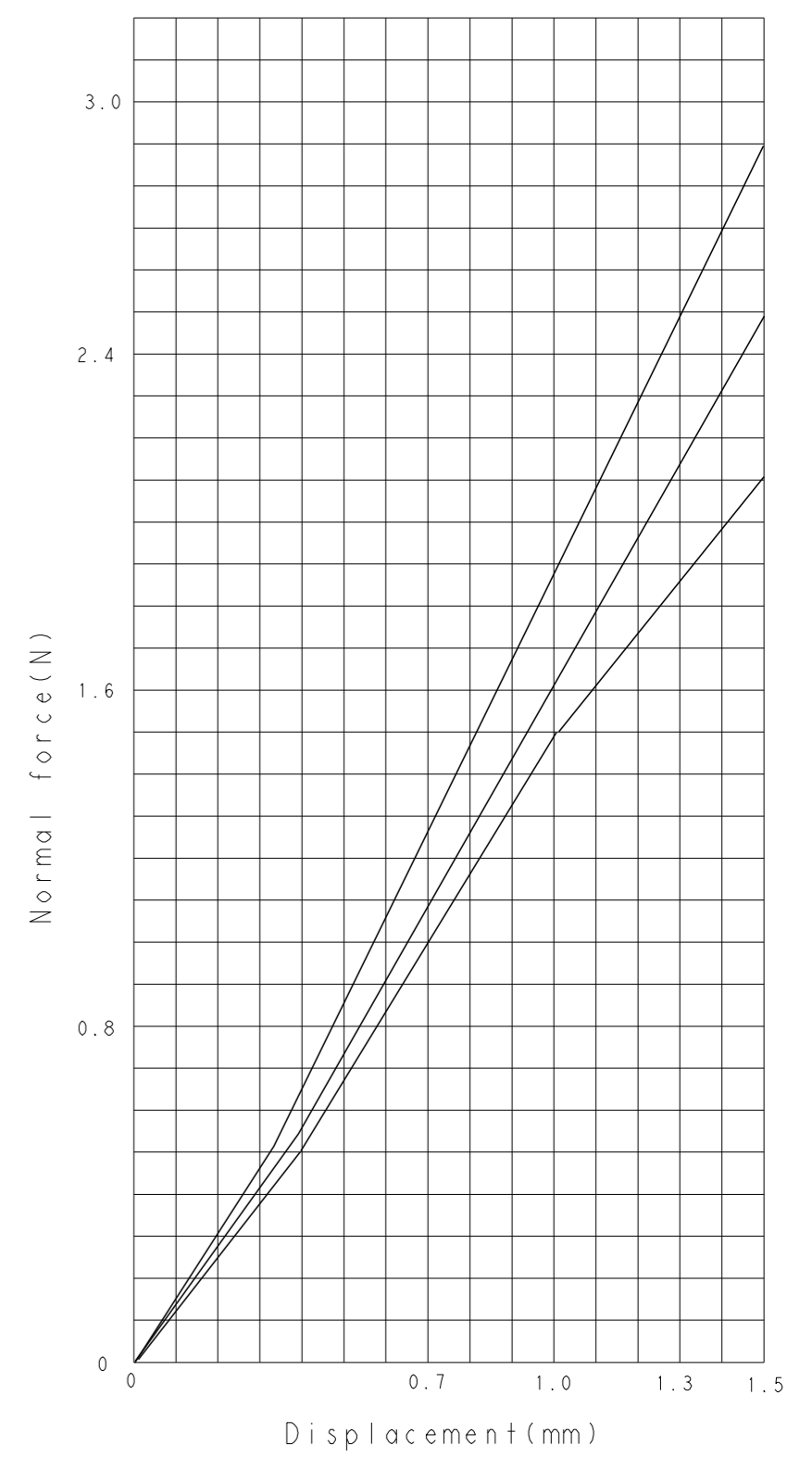
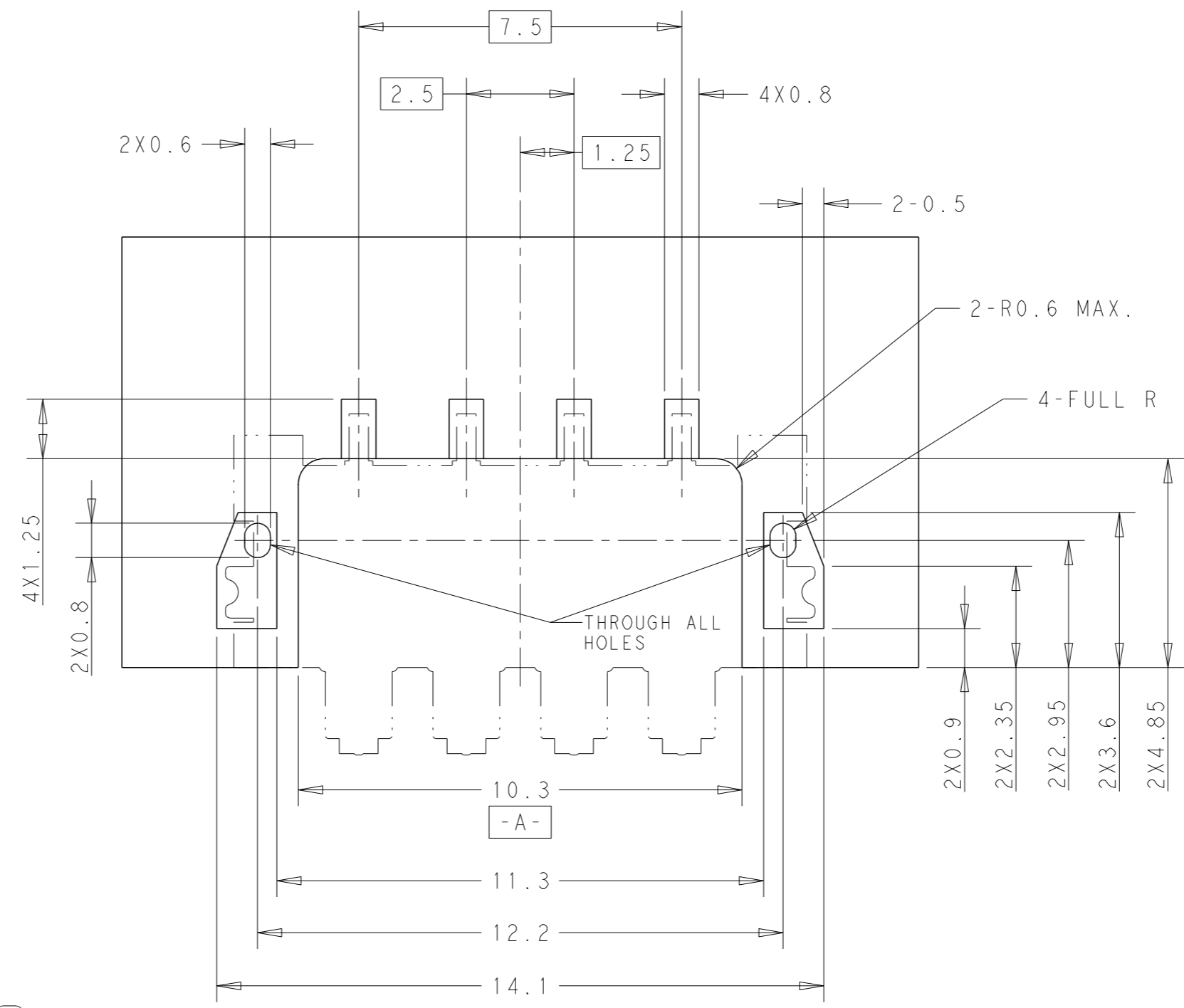
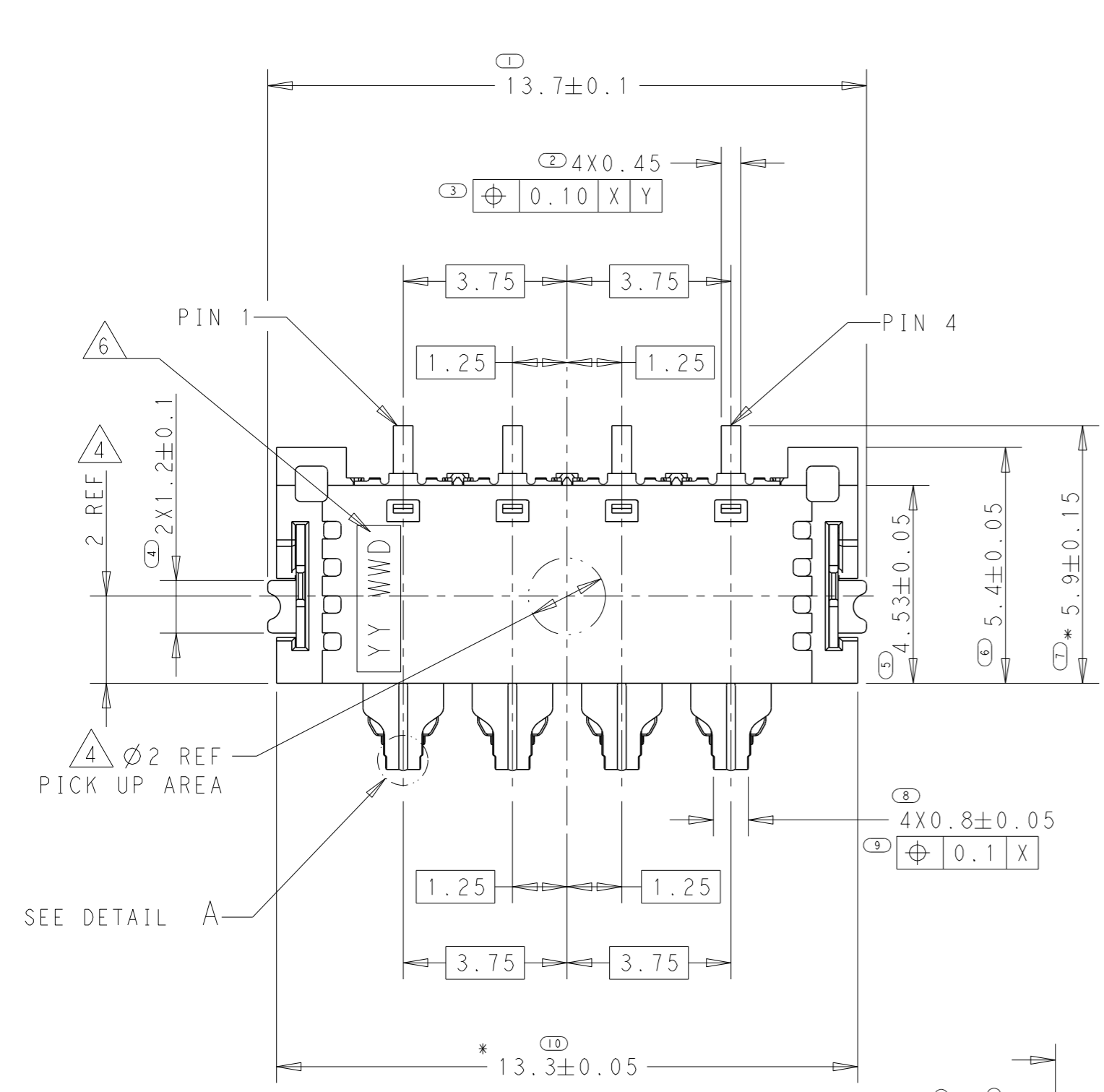
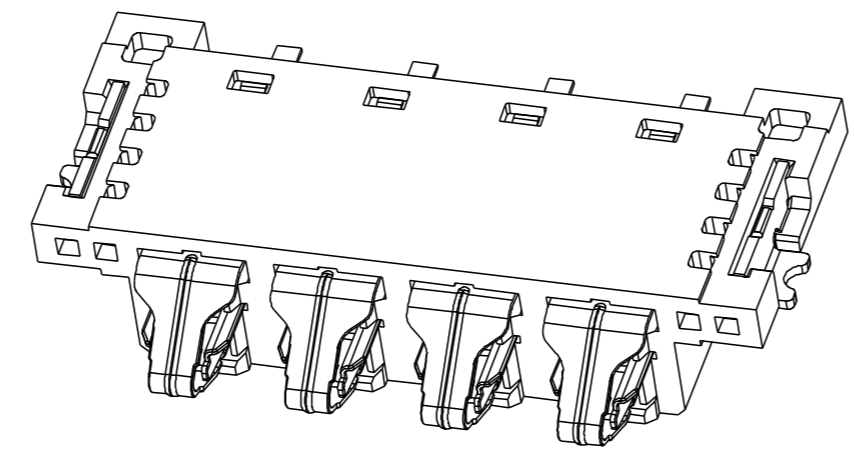
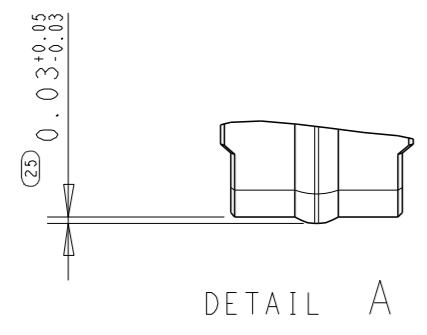


REVISIONS				
P	LTR	DESCRIPTION	DATE	DWN APVD
	A2	REVISED	21SEP2015	J. J. W. H.

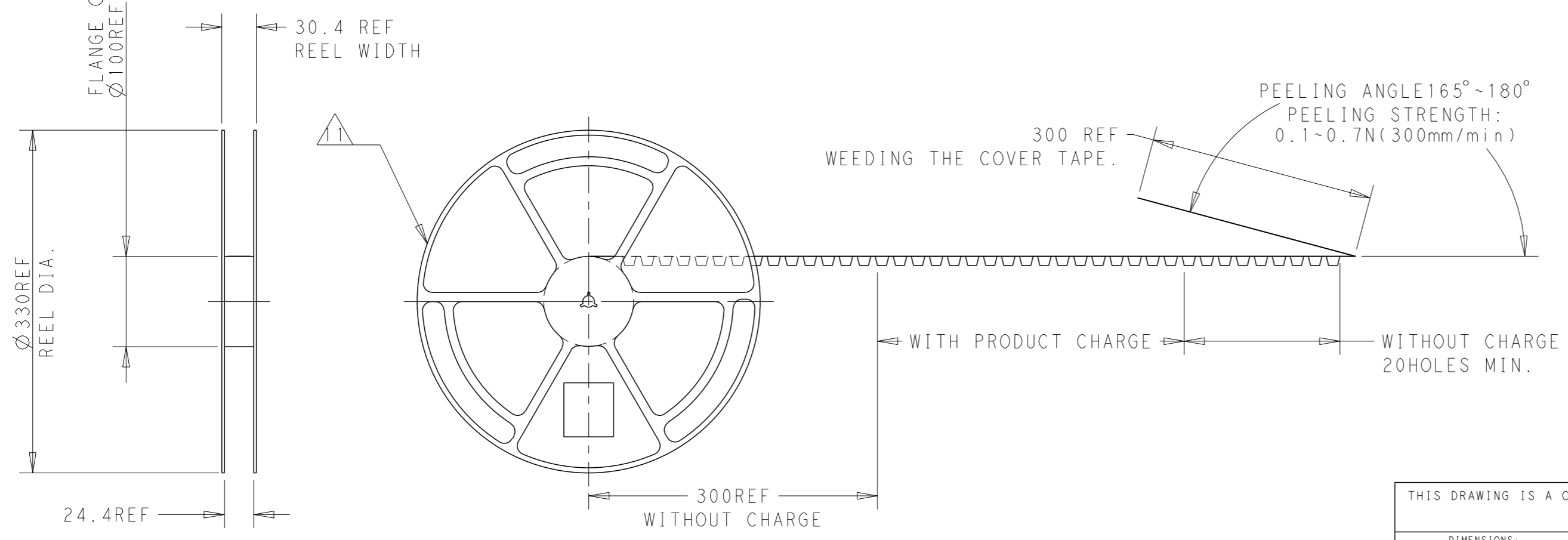
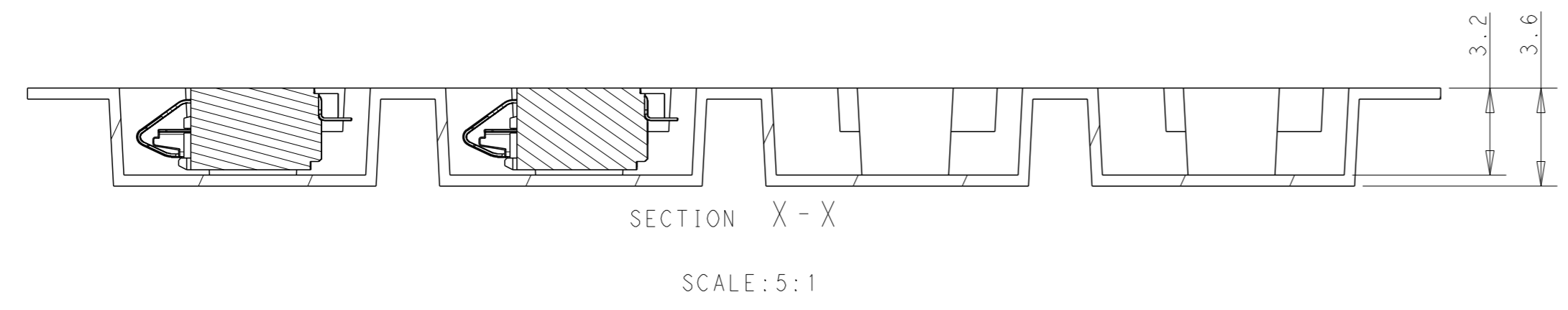
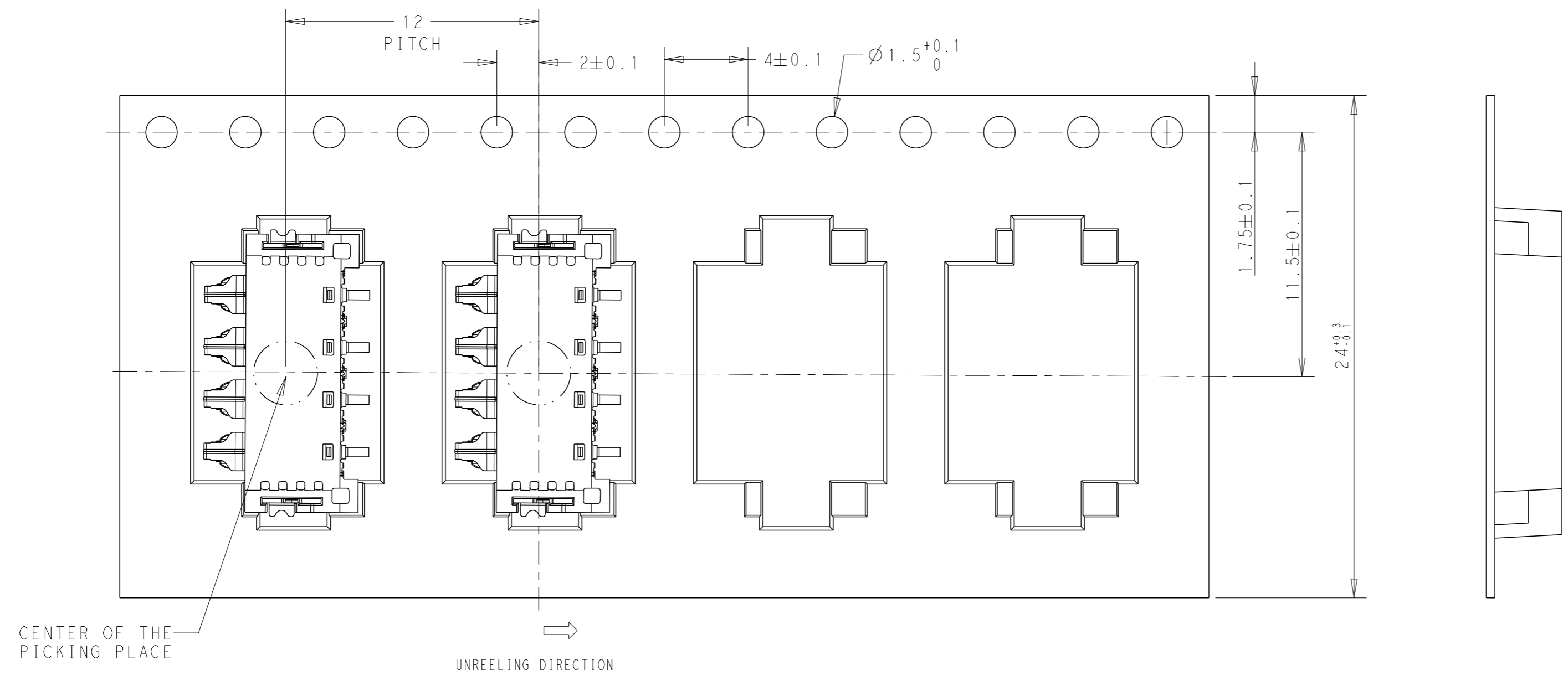


- 1 MATERIAL
CONTACT: NICKEL COPPER.
HOUSING: LCP, UL94V-0, BLACK.
SOLDER PEG: BRASS OR STAINLESS STEEL.
- 2 FINISH
CONTACT: 1.25um MIN. NICKEL UNDER PLATING
0.375um MIN. GOLD PLATING AT CONTACT AREA.
0.025um MIN. GOLD PLATING AT SOLDERING AREA
SOLDER PEG: 1.0um MIN. NICKEL UNDER PLATING
1.5um MIN. TIN PLATING
- 3 COPLANARITY 0.08 MAX.
- 4 PICK UP AREA
- 5 EMBOSS AND COVER TAPE: ESD PROTECTION MATERIAL
- 6 MARK WITH DATE CODE, YYWWD: YY-YEAR, WW-WEEK, D-DAY
- 7 STORAGE LIFE: AT LEAST 12 MONTHS
- 8 PART NO : 2289817-1



THIS DRAWING IS A CONTROLLED DOCUMENT.		DWN T. YASUI 25FEB2015	TE Connectivity	
DIMENSIONS: mm		CHK A. KUBO 25FEB2015		
TOLERANCES UNLESS OTHERWISE SPECIFIED:		APVD T. MATSUDAIRA 25FEB2015	NAME LOW PROFILE BATTERY	
0 PLC ± 1 PLC ±0.35 2 PLC ±0.25 3 PLC ±0.05 4 PLC ±0.02		PRODUCT SPEC -	SIZE A2	
MATERIAL 1		APPLICATION SPEC -	CAGE CODE -	DRAWING NO. C=2289817
FINISH 2		WEIGHT -	RESTRICTED TO -	SCALE NTS
		CUSTOMER DRAWING	SHEET 1 OF 2	REV A2

REVISIONS				
P	LTR	DESCRIPTION	DATE	APVD



1500	2289817-1
QTY/REEL	P/N

THIS DRAWING IS A CONTROLLED DOCUMENT.		DWN HILL HE 10FEB2015	TE Connectivity	
DIMENSIONS: mm		CHK WENKE HE 10FEB2015		
TOLERANCES UNLESS OTHERWISE SPECIFIED:		APVD WENKE HE 10FEB2015	NAME LOW PROFILE BATTERY	
		PRODUCT SPEC -	SIZE A2	
MATERIAL TBD		APPLICATION SPEC -	CAGE CODE -	DRAWING NO C=2289817
		WEIGHT -	RESTRICTED TO -	SCALE 10:1
FINISH -		CUSTOMER DRAWING	SHEET 2 OF 2	REV A2